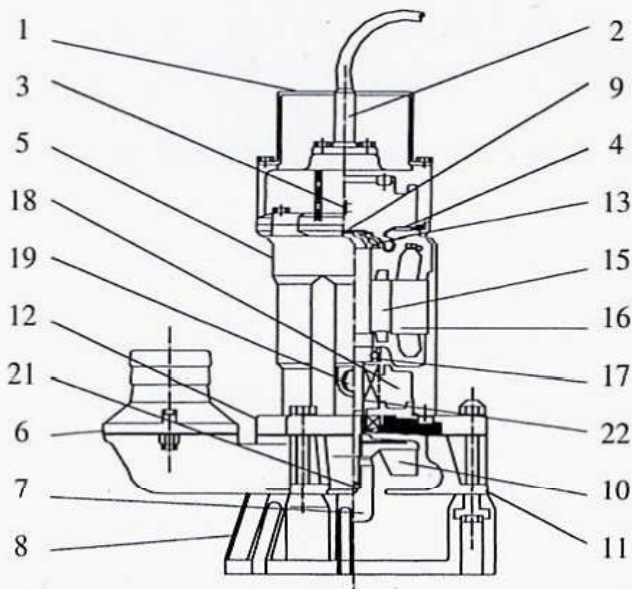


CRWL:Continuous Running Water Level

Dis-Charge Bore	Model	Motor Output	Max Head	Total Capacity	Dry Weight
mm		W	M	L/Min	kg
50	UW400	400	12	220	18

Dimensions mm							
d	B	B1	A	A1	E	H	H1
50	240	207	158	84	185	355	90



NO.	Description	NO.	Description
1	Handle	11	Pump Casing
2	Cable	12	Oil Casing
3	Capacitor	13	Upper Bearing
4	Motor cover	15	Rotor shaft
5	Motor casing	16	Stator
6	Hose Coupling	17	Lower Bearing
7	Agitator	18	Oil
8	Stand	19	Oil Plug
9	Bearing plate	21	Shaft Sleeve
10	Impeller	22	Mechanical Seal