

## BS 2250 HT 3~ 433

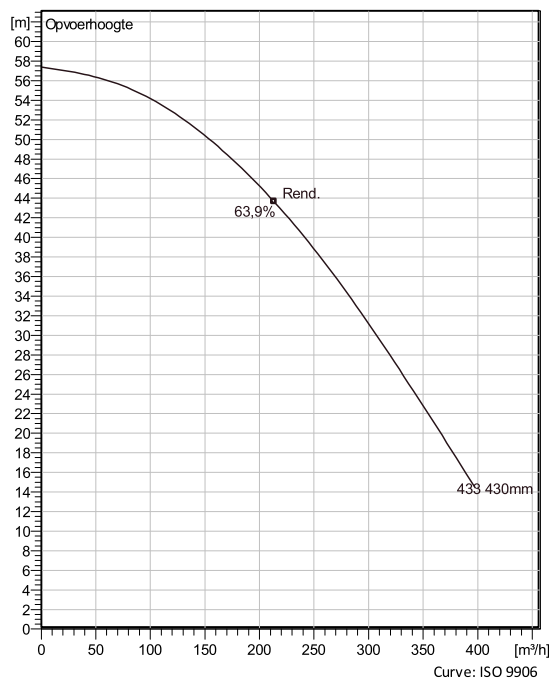
Transportabele slijtvaste drainage pompen geschikt voor toepassingen in water met slijtende delen zoals, zand, klei en gravel. Voor toepassingsgebieden zoals bouwplaatsen en mijnen. Materiaaluitvoeringen uit lichtmetaal, roestvaststaal en gietijzer.



### Technische specificaties



Curves according to: Schoon water 6choon water [100%], 4 °C, 999,9 kg/m<sup>3</sup>, 1,5692 mm<sup>2</sup>/s



Nominal (mean) data shown. Under- and over-performance from this data should be expected due to standard manufacturing tolerances. Please consult your local Flygt representative for performance guarantees.

### Configuration

|                                                      |                                                     |
|------------------------------------------------------|-----------------------------------------------------|
| <b>Motor number</b><br>B2250.011 35-28-4AA-W<br>54KW | <b>Soort installatie</b><br>S - Semi permanent, Nat |
| <b>Impeller diameter</b><br>430 mm                   | <b>Discharge diameter</b><br>150 mm                 |

### Pump information

|                                               |
|-----------------------------------------------|
| <b>Impeller diameter</b><br>430 mm            |
| <b>Discharge diameter</b><br>150 mm           |
| <b>Inlet diameter</b><br>170 mm               |
| <b>Maximum operating speed</b><br>1475 rpm    |
| <b>Aantal bladen</b><br>5                     |
| <b>Max. temperatuur vloeistoffen</b><br>40 °C |

### Material

|                                             |
|---------------------------------------------|
| <b>Waaier</b><br>Hard-Iron                  |
| <b>Stator housing material</b><br>Aluminium |

Project omschrijving: 20155397  
Zoekresultaat: 0

Aangemaakt door:  
Aangemaakt op 10/19/2025 Laatste wijziging 10/19/2025

## BS 2250 HT 3~ 433

### Technische specificaties



#### Motor - General

|                                                      |                                   |                                   |                                   |
|------------------------------------------------------|-----------------------------------|-----------------------------------|-----------------------------------|
| <b>Motor number</b><br>B2250.011 35-28-4AA-W<br>54KW | <b>Fasen</b><br>3~                | <b>Rated speed</b><br>1475 rpm    | <b>Nominaal vermogen</b><br>54 kW |
| <b>Approval</b><br>No                                | <b>Aantal polen</b><br>4          | <b>Toegekende stroom</b><br>104 A | <b>Stator variant</b><br>38       |
| <b>Frequentie</b><br>50 Hz                           | <b>Nominale spanning</b><br>400 V | <b>Isolatieklasse</b><br>H        | <b>Type of Duty</b><br>S1         |
| <b>Version code</b><br>011                           |                                   |                                   |                                   |

#### Motor - Technical

|                                           |                                              |                                                           |                                           |
|-------------------------------------------|----------------------------------------------|-----------------------------------------------------------|-------------------------------------------|
| <b>Vermogensfactor - 1/1 Load</b><br>0,81 | <b>Motor efficiency - 1/1 Load</b><br>91,5 % | <b>Total moment of inertia</b><br>0,964 kg m <sup>2</sup> | <b>Max. aantal aanlopen per uur</b><br>15 |
| <b>Vermogensfactor - 3/4 Load</b><br>0,77 | <b>Motor efficiency - 3/4 Load</b><br>91,5 % | <b>Aanloopstroom, directe start</b><br>590 A              |                                           |
| <b>Vermogensfactor - 1/2 Load</b><br>0,67 | <b>Motor efficiency - 1/2 Load</b><br>91,0 % | <b>Aanloopstroom, sterdrhoek</b><br>197 A                 |                                           |

Project omschrijving: 20155397

Zoekresultaat: 0

Aangemaakt door:

Aangemaakt op: 10/19/2025 Laatste wijziging: 10/19/2025

## BS 2250 HT 3~ 433

### Performance curve

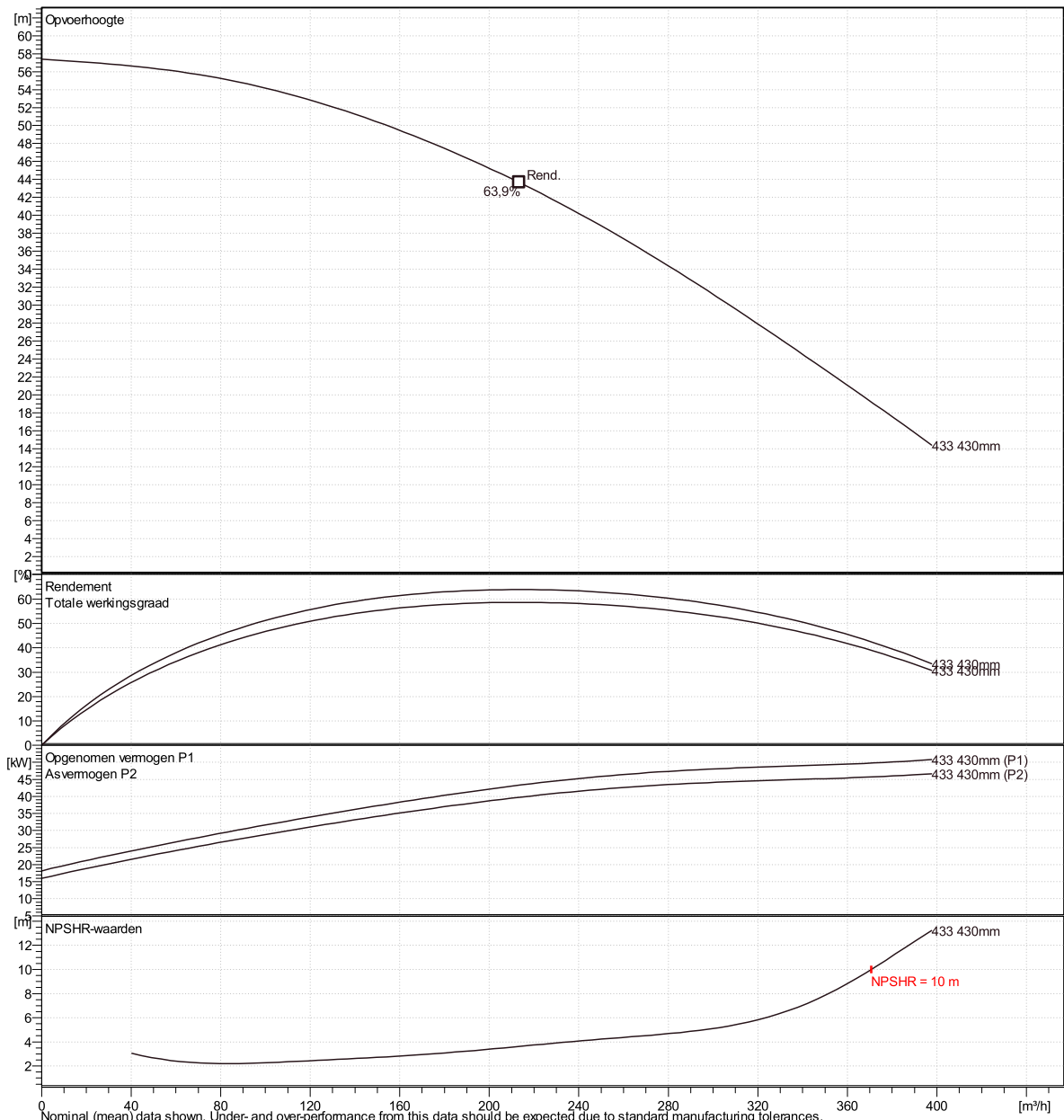


#### Duty point

Debiet

Opvoerhoogte

Curves according to: Schoon water [100%], 4 °C, 999,9 kg/m<sup>3</sup>, 1,5692 mm<sup>2</sup>/s



Nominal (mean) data shown. Under- and over-performance from this data should be expected due to standard manufacturing tolerances. Please consult your local Flygt representative for performance guarantees. Curve: ISO 9906

Xylect-20155397

0

Aangemaakt op 10/19/2025 Laatste wijziging

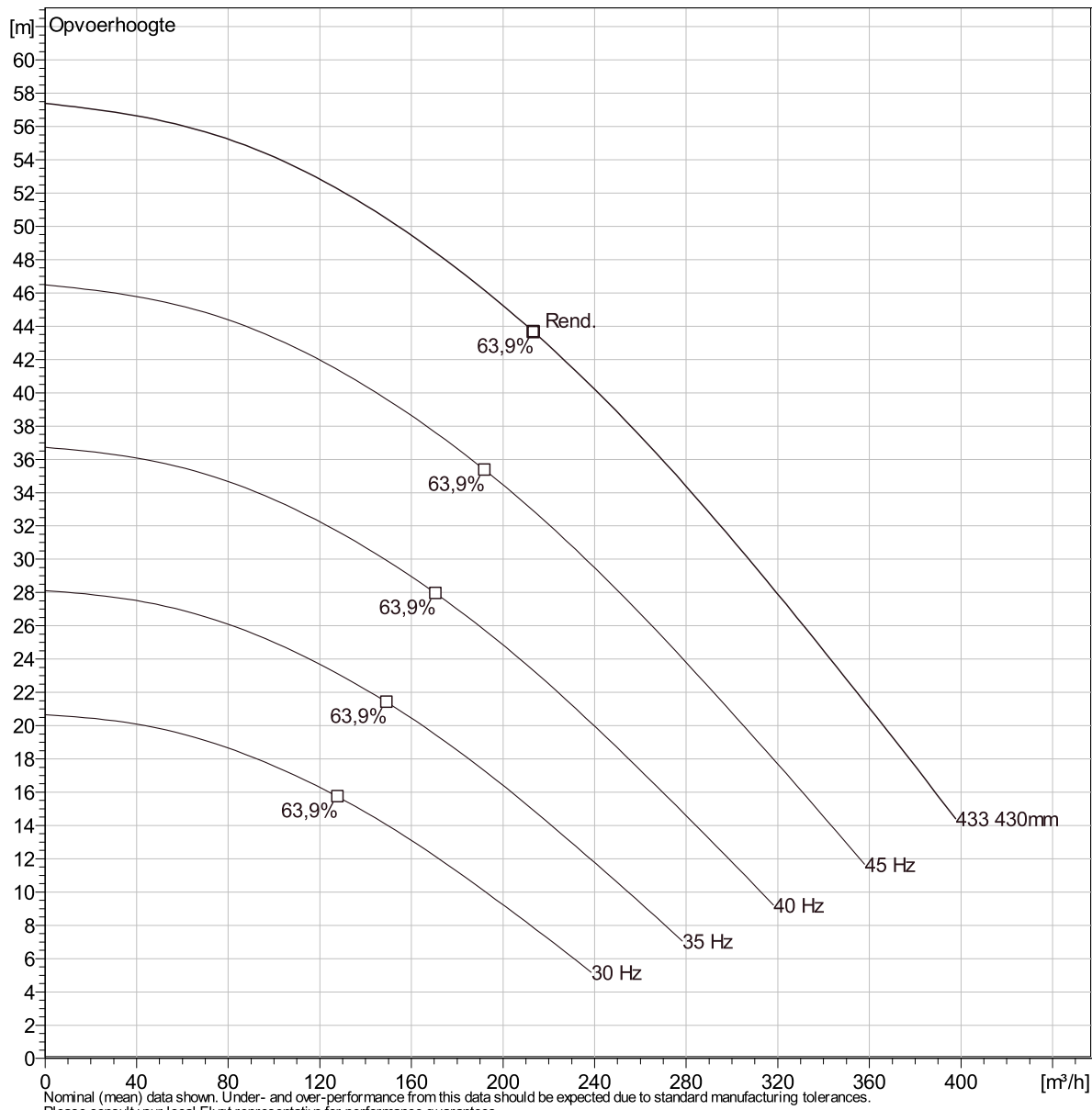
10/19/2025

## BS 2250 HT 3~ 433

### Duty Analysis



Curves according to: Schoon water [100%]; 4°C; 999,9kg/m<sup>3</sup>; 1,5692mm<sup>2</sup>/s



#### Operating characteristics

| Pumps / Systems | Debiet<br>m³/h | Opvoerhoogte<br>m | Asvermogen<br>kW | Debiet<br>m³/h | Opvoerhoogte<br>m | Asvermogen<br>kW | Hydr.rend. | Spec. Energie<br>kWh/m³ | NPSHre<br>m |
|-----------------|----------------|-------------------|------------------|----------------|-------------------|------------------|------------|-------------------------|-------------|
|-----------------|----------------|-------------------|------------------|----------------|-------------------|------------------|------------|-------------------------|-------------|

Project omschrijving

Zoekresultaat Xylect-20155397

Aangemaakt door:

Aangemaakt op 10/19/2025

Laatste wijziging

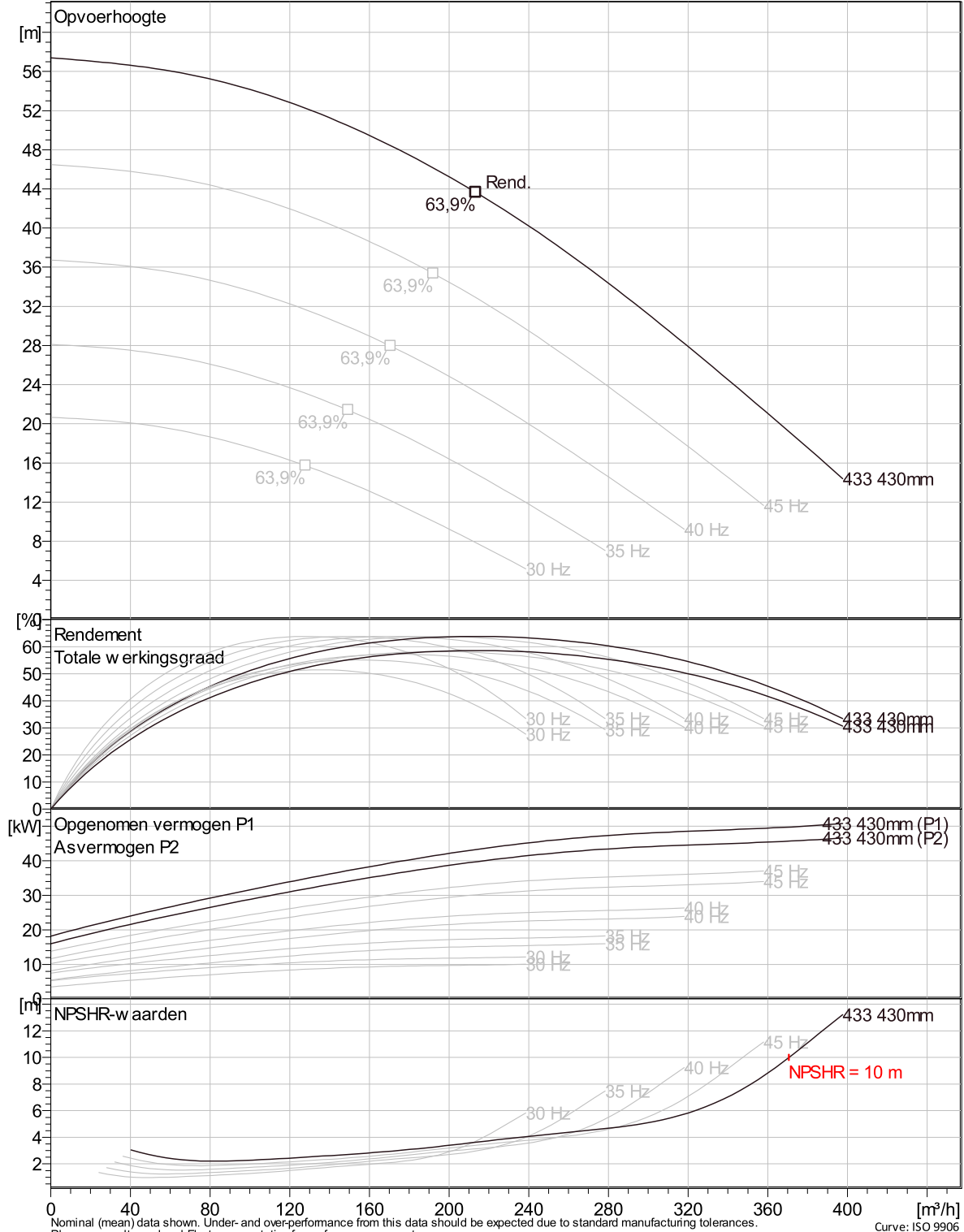
10/19/2025

## BS 2250 HT 3~ 433

VFD Curve



Curves according to: Schoon water 4 °C, 999,9 kg/m<sup>3</sup>, 1,5692 mm<sup>2</sup>/s



Nominal (mean) data shown. Under- and over-performance from this data should be expected due to standard manufacturing tolerances. Please consult your local Flygt representative for performance guarantees.

Curve: ISO 9906

Project omschrijving: 20155397

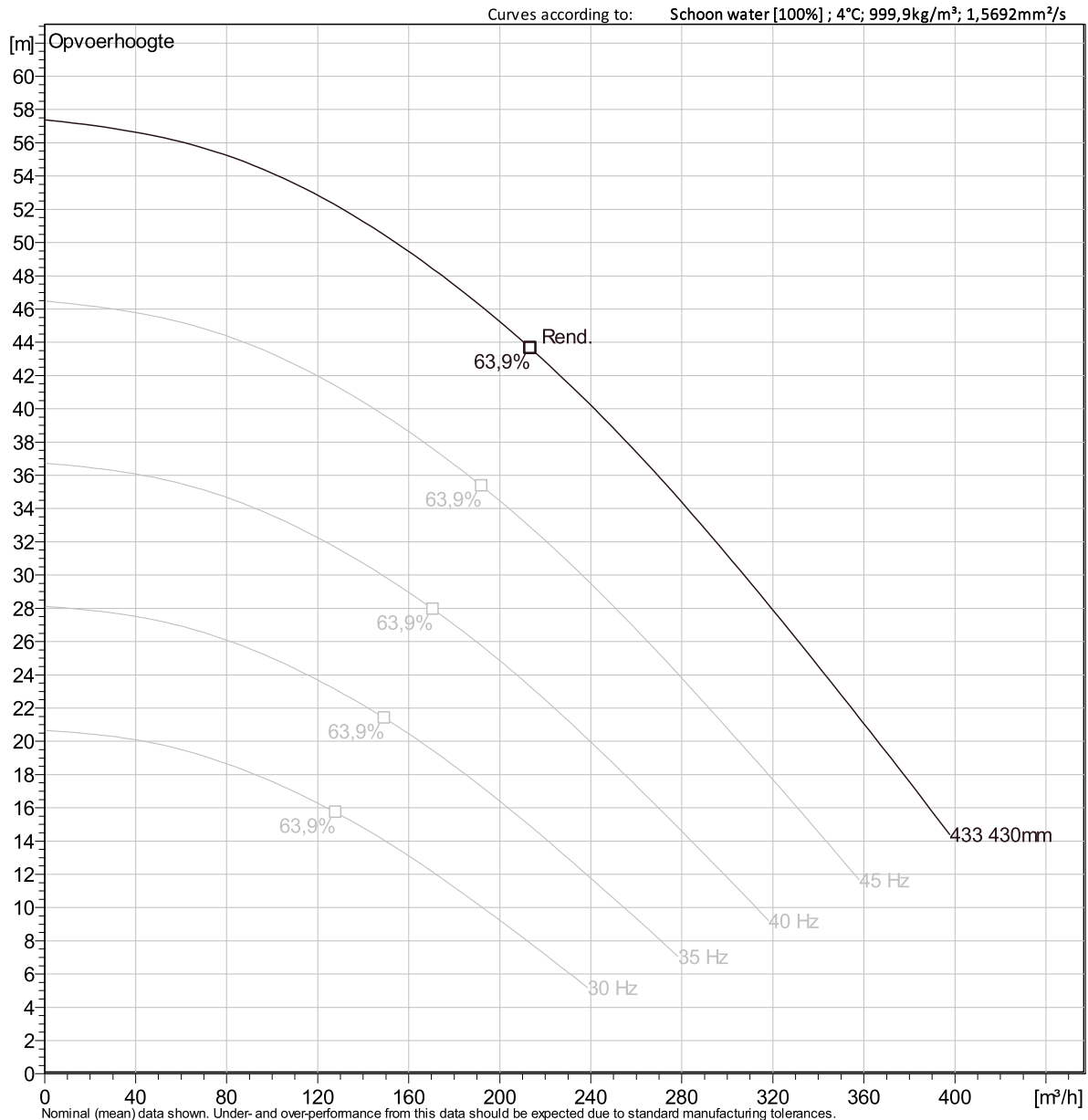
Aangemaakt door:

Zoekresultaat 0

Aangemaakt op 10/19/2025 Laatste wijziging 10/19/2025

## BS 2250 HT 3~ 433

### VFD Analysis



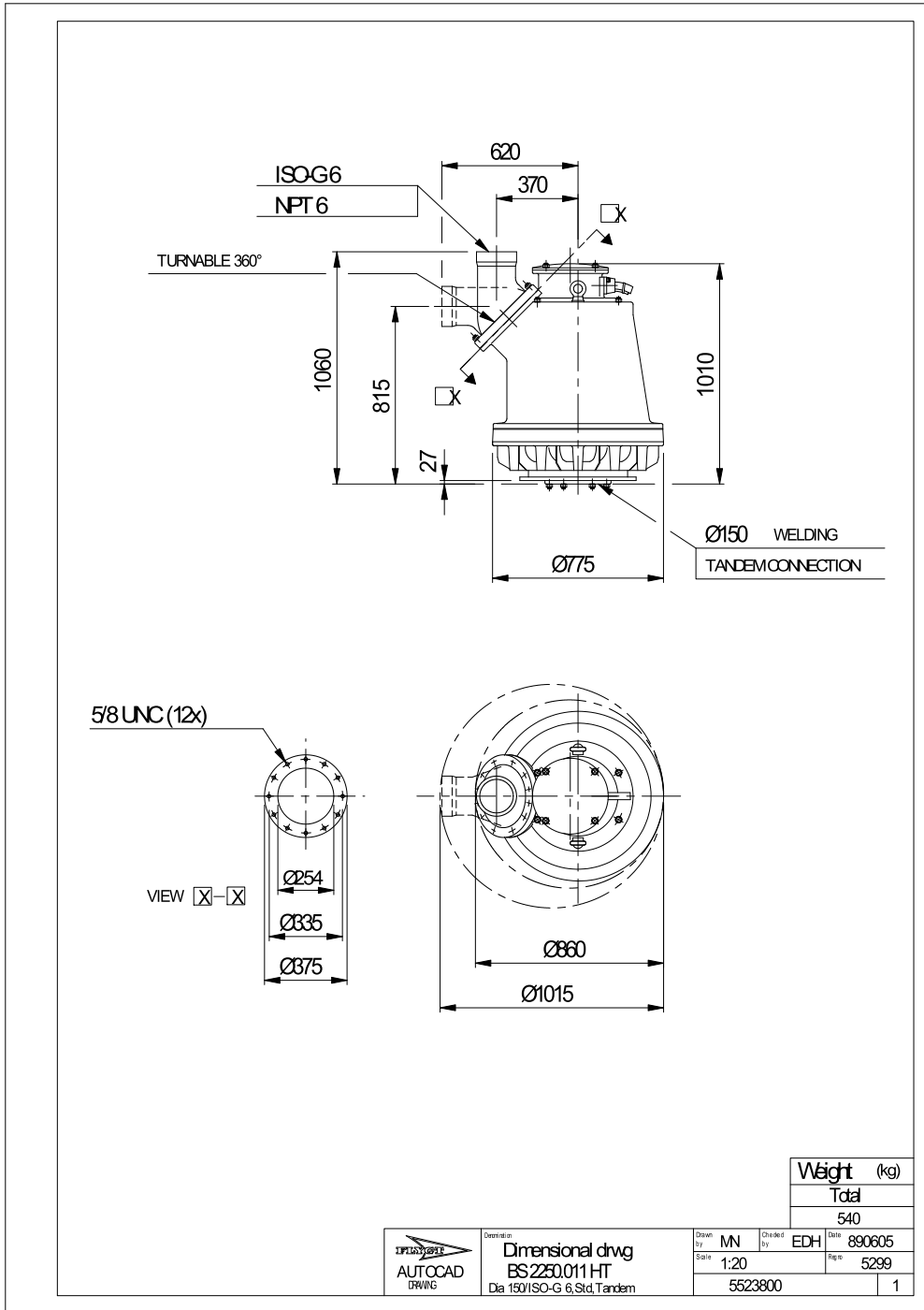
### Operating Characteristics

| Pumps / Systems | Frequentie | Debiet | Opvoerhoogte | Asvermogen | Debiet | Opvoerhoogte | Asvermogen | Hydr.rend. | Specifieke energie | NPSHre |
|-----------------|------------|--------|--------------|------------|--------|--------------|------------|------------|--------------------|--------|
|                 |            | m³/h   | m            | kW         | m³/h   | m            | kW         |            | kWh/m³             | m      |

|                      |                  |                   |            |
|----------------------|------------------|-------------------|------------|
| Project omschrijving | Project-20155397 | Aangemaakt door:  |            |
| Zoekresultaat        | 0                | Aangemaakt op     | 10/19/2025 |
|                      |                  | Laatste wijziging | 10/19/2025 |

**BS 2250 HT 3~ 433**

Dimensional drawing



| Weight (kg) |     |
|-------------|-----|
| Total       | 540 |



Dimension: Dimensional drwg  
 BS 2250.011 HT  
 Dia 150/ISO-G 6,Std,Tandem

|              |                 |              |
|--------------|-----------------|--------------|
| Drawn by: MN | Checked by: EDH | Date: 890605 |
| Date: 1:20   | Page: 5299      |              |
| 5523800      |                 | 1            |

|                                        |                                                            |
|----------------------------------------|------------------------------------------------------------|
| Project omschrijving: Project-20155397 | Aangemaakt door:                                           |
| Zoekresultaat: 0                       | Aangemaakt op: 10/19/2025<br>Laatste wijziging: 10/19/2025 |