

### DanPumps model S-WN3 - 50 Hz

#### Product Applications

The DanPumps S-WN3 pump is especially designed for wastewater applications and offers high hydraulic efficiencies. It is suitable for unscreened waste water from sewage plants and industries.

#### Design

The characteristics of our wastewater pumps are high quality, long lifetime and user friendly design. The DanPumps S-WN3 pump can be delivered as horizontal or vertical installation and with either a channel, a vortex or a B-tween impeller.

#### Materials

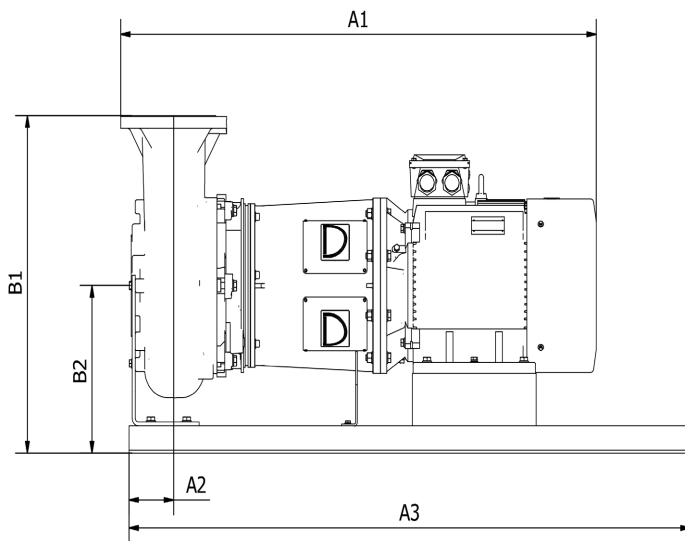
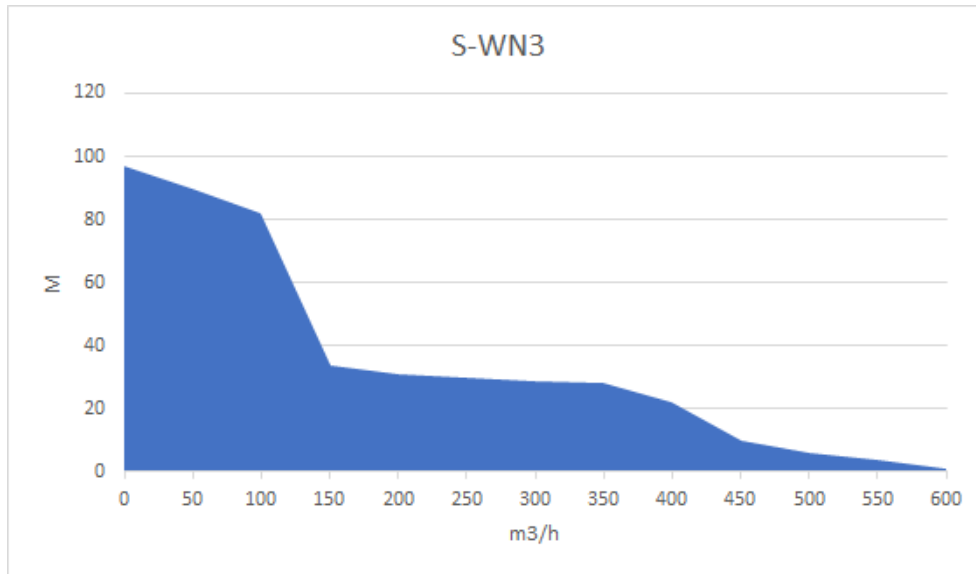
Pump Housing, base elbow, cartridge seal	Grey cast iron	GJL-250(GG25)	A-48 Class35
Impeller (cast iron) adapter	Ductile cast iron	GJS-400-15 (GGG-40)	A536 GR 65-45
Option: Stainless steel impeller	Stainless cast steel	W.Nr.1.4401	AISI 316
Option: Stainless steel volute (DN150)	Stainless cast steel	W.Nr.1.4401	AISI 316
Shaft	Stainless steel	W.Nr.1.4057	AISI 431
Seal sleeve, screws	Stainless steel	W.Nr.1.4301	AISI 304
O-rings	Nitrile	NBR	
Oil	Mobil DTE 24	Premium Hydraulic	
Mechanical seal	Media side: SIC / SIC	Cooling side: SIC / Carbon	
Motor	Standard	IP55 IE3	

#### Operation standards

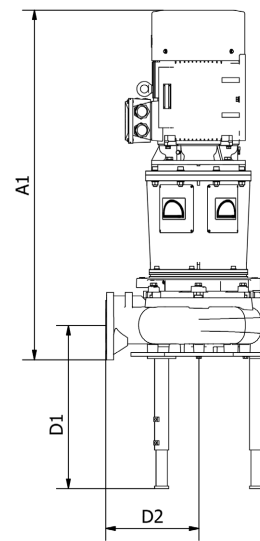
- Connections up to DN150
- Flow Rate up to 450 m<sup>3</sup>/h
- Overheating and moisture protection
- Channel, vortex and B-tween impellers in the same volute
- Double mechanical cartridge seal
- Standard motor IP55 IE3 2 - 4 - 6 pole
- Long lifetime due to accurate balancing
- Customized solutions and a modular system
- Easy maintenance
- Adjustable wear ring



Performance Curve - WN3 Range - 50 Hz



DanPumps S-WN3 - Horizontal Installation



DanPumps S-WN3 - Vertical Installation

Dimensions are in mm	A1	A2	A3	B1	B2	D1	D2
S-WN3-80-2L-M160	1087,5	75	85	644,5	345	413-548	299,5
S-WN3-80-2L-M180	1160	75	85	644,5	345	413-548	299,5
S-WN3-80-2L-M200	1274	75	85	644,5	345	413-548	299,5
S-WN3-100-2L-M160	1083	88	96	643,5	345	424-559	299
S-WN3-100-2L-M180	1155	88	96	643,5	345	424-559	299
S-WN3-100-2L-M200	1269	88	96	643,5	345	424-559	299
S-WN3-150-2L-M160	1116	107	115	680	345	443-578	335
S-WN3-150-2L-M180	1188,5	107	115	680	345	443-578	335
S-WN3-150-2L-M200	1302,5	107	115	680	345	443-578	335