

### DanPumps model S-WN2 - 50 Hz

#### Product Applications

The DanPumps S-WN2 pump is especially designed for wastewater applications especially for water with a large solid content or fibrous medias.

#### Design

The characteristics of our wastewater pumps are high quality, long lifetime and user friendly design. The DanPumps S-WN2 pump can be delivered as horizontal or vertical installation and with either a channel, a vortex or a B-tween impeller.

#### Materials

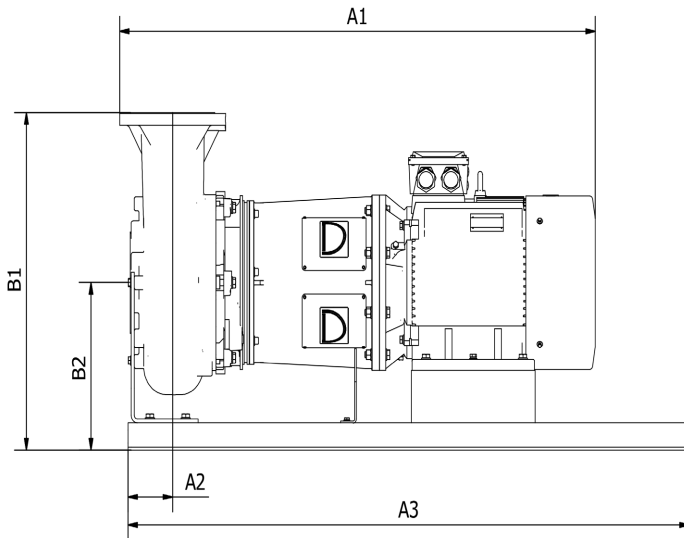
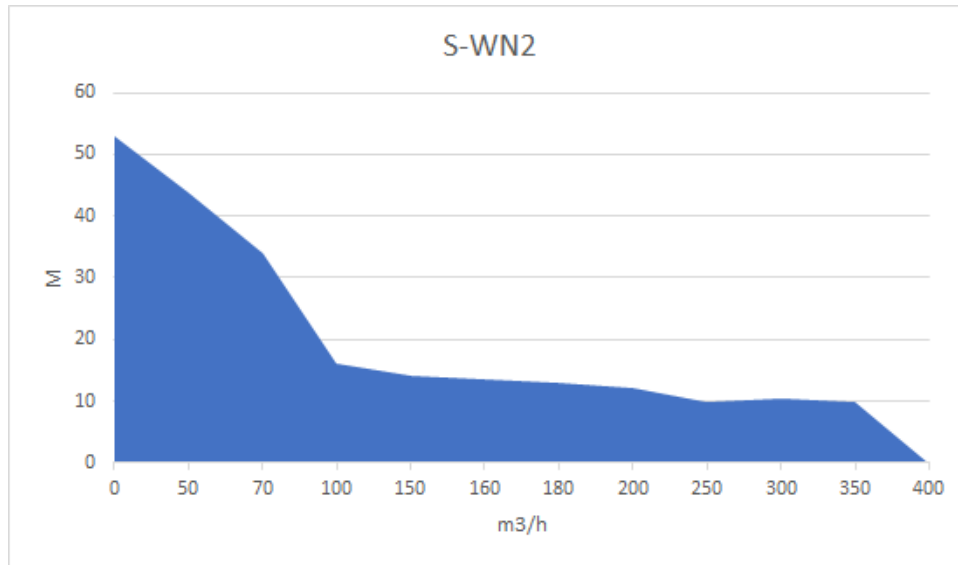
Pump Housing, base elbow, cartridge seal	Grey cast iron	GJL-250(GG25)	A-48 Class35
Impeller (cast iron) adapter	Ductile cast iron	GJS-400-15 (GGG-40)	A536 GR 65-45
Option: Stainless steel impeller	Stainless cast steel	W.Nr.1.4401	AISI 316
Shaft	Stainless steel	W.Nr.1.4057	AISI 431
Seal sleeve, screws	Stainless steel	W.Nr.1.4301	AISI 304
O-rings	Nitrile	Nitrile	
Oil	Mobil DTE 24	Premium Hydraulic	
Mechanical seal	Media side: SIC / SIC	Cooling side: SIC / Carbon	
Motor	Standard	IP55 IE3	

#### Operation standards

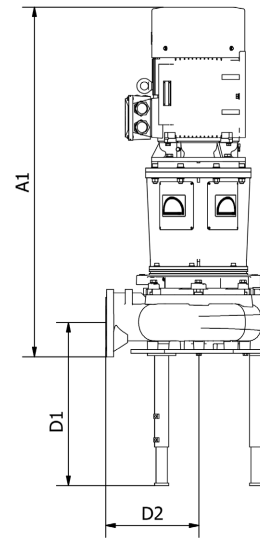
- Connections up to DN80
- Flow Rate up to 300m<sup>3</sup>/h
- Channel, vortex and B-tween impellers in the same volute
- Double mechanical cartridge seal
- Standard motor IP55 IE2/IE3 2 - 4 - 6 pole
- Long lifetime due to accurate balancing
- Customized solutions and a modular system
- Easy maintenance
- Adjustable wear ring



Performance Curve - WN2 Range - 50 Hz



DanPumps S-WN2 - Horizontal Installation



DanPumps S-WN2 - Vertical Installation

Dimensions are in mm	A1	A2	A3	B1	B2	D1	D2
S-WN2-802L-M112	906	69	73	33	588,5	17	229-364
S-WN2-802L-M132	917,5	69	73	33	588,5	17	229-364
S-WN2-802L-M160	1066	69	73	33	588,5	17	229-364
S-WN2-100-2L-M112	909	86	95	55	593	17	270-405
S-WN2-100-2L-M132	920,5	86	95	55	593	17	270-405
S-WN2-100-2L-M160	1040	86	95	55	593	17	270-405
S-WN2-150-2L-M112	941,5	104	114	74	682,5	17	270-405
S-WN2-150-2L-M132	953	104	114	74	682,5	17	270-405
S-WN2-150-2L-M160	1101,5	104	114	74	682,5	17	270-405