



## Industrial / Marine Pumps

S-IP & S-MP Pumps for safe operations and easy maintenance





### Product Applications

Danpumps offers a wide range of pumps for any application within the marine, industrial and chemical industries.

### Design

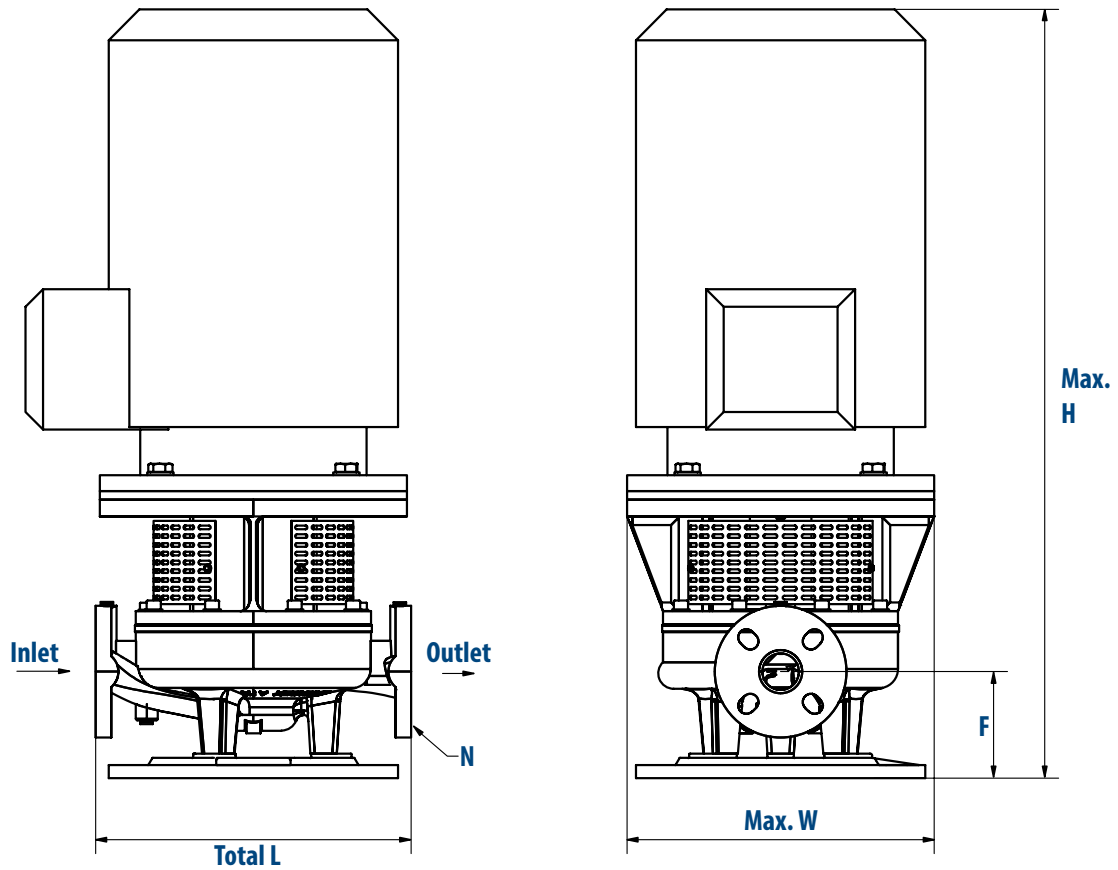
The pump is based on a unique hydraulic design combining maximum efficiency with the highest standards. The pump is based on design according to ISO 2858.

### Materials

	S-MP	S-IP
Pump house :	Bronze / RG10	Cast Iron
Back plate :	Bronze / RG10	Cast Iron
Impeller :	Ni.AI.Bronze	Ni.AI.Bronze
Wear rings :	Ni.AI.Bronze	Ni.AI.Bronze
Shaft :	AISI 329	AISI 329

### Operation Standards

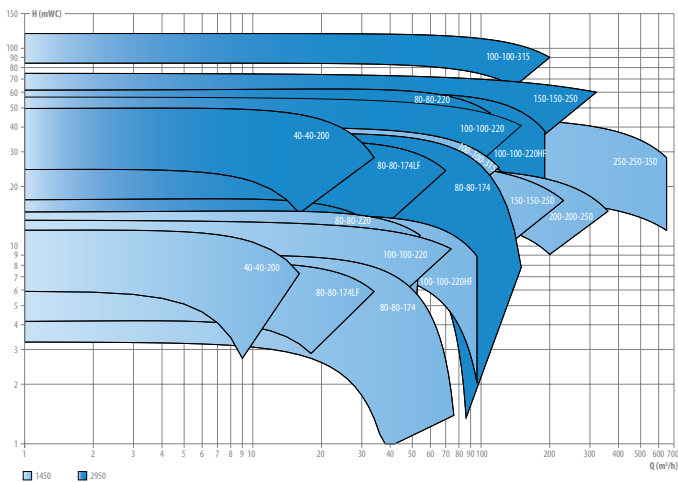
- High efficiency:  
The volute and the impeller design ensures high efficiency
- Accurate balancing ensures a very low noise level
- Flexible design:  
Designed for easy maintenance  
Long lifetime  
Cost optimal
- Connections:  
Flanges according to EN1092-1
- Colour:  
Standard colour, Blue RAL 5010. Available in other colours



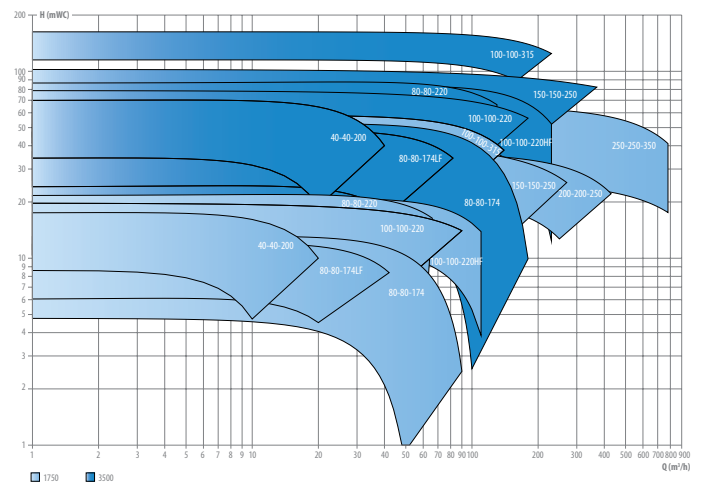
Model	F	Max. H	Max. W	Total L	N (EN1092-1)
S-MP/S-IP 40-40-200	122	821	350	360	DN32 + DN40, PN10
S-MP/S-IP 80-80-174	140	965	350	400	DN65/-80/-100, PN10
S-MP/S-IP 80-80-220	141	1004	350	450	DN65/-80/-100, PN10
S-MP/S-IP 100-100-220	175	1058	443	500	DN100, PN10
S-MP/S-IP 100-100-315	157	1139	520	630	DN100, PN10

All dimensions are in mm.

Performance Curves - Complete S-MP/S-IP Range - 50 Hz



Performance Curves - Complete S-MP/S-IP Range - 60 Hz





DanPumps S-IP MP-2L

### Product Applications

Danpumps offers a wide range of pumps for any application within the marine sector as well as industrial and chemical processing plants.

### Design

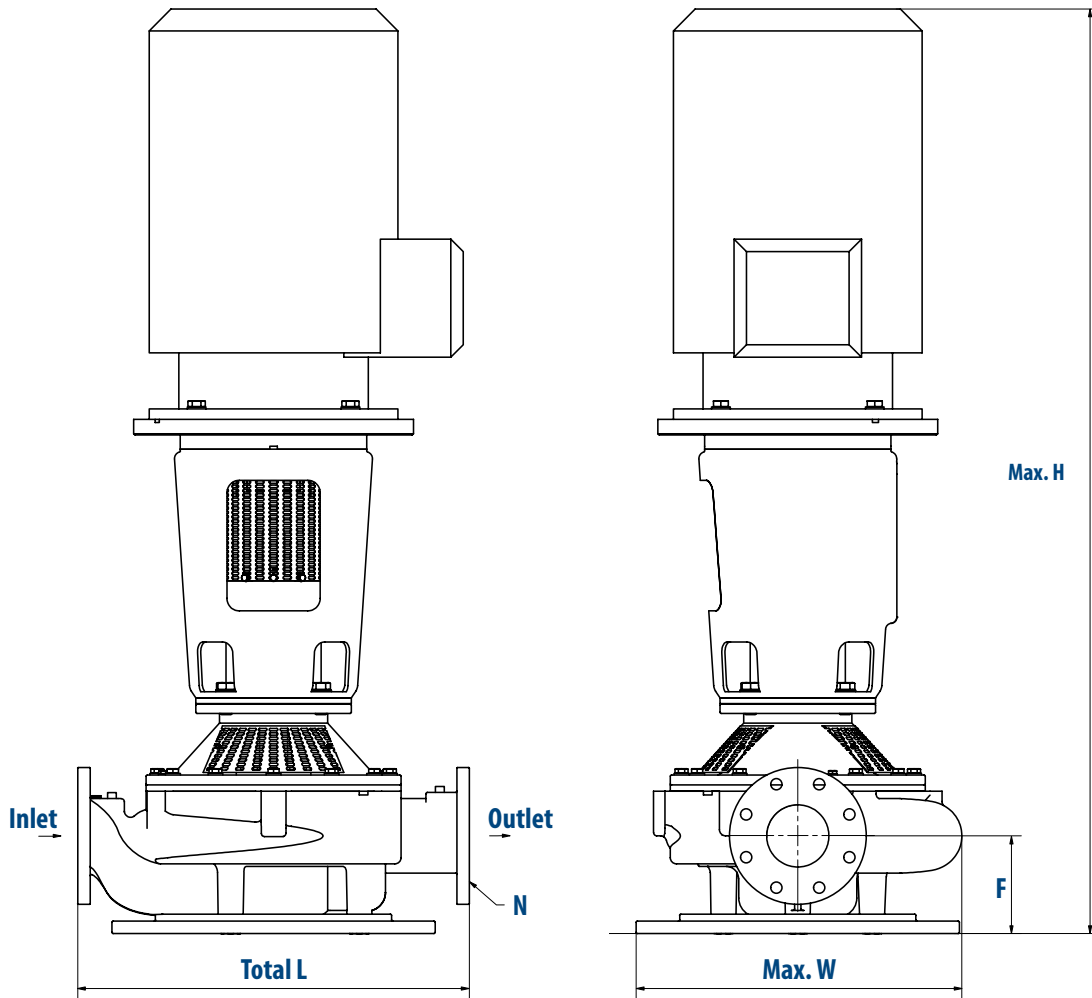
The pump is based on a unique hydraulic design, combining maximum efficiency with the highest standards. The pump is based on the design according to ISO 2858.

### Materials

	S-MP	S-IP
Pump house :	Bronze / RG10	Cast Iron
Back plate :	Bronze / RG10	Cast Iron
Impeller :	Ni.AI.Bronze	Ni.AI.Bronze
Wear rings :	Ni.AI.Bronze	Ni.AI.Bronze
Shaft :	AISI 329	AISI 329

### Operation Standards

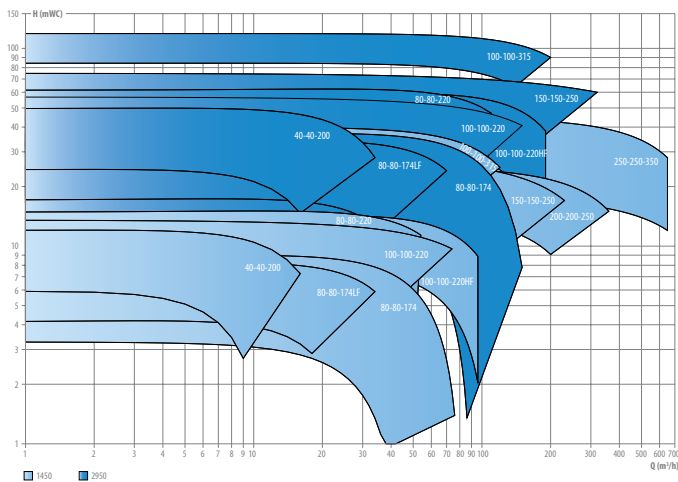
- Sturdy design for demanding duties
- Inline pump, easy to remove from rotatory parts- top pull-off principle
- Designed with double bearings between the motor and impeller
- High efficiency:
  - The volute and the impeller design ensures high efficiency
- Low noise level
- Flexible design:
  - Designed for easy maintenance
  - Long lifetime
  - Cost optimal
- Connections:
  - Flanges according to EN1092-1
- Colour:
  - Standard colour, Blue RAL 5010. Available in other colours



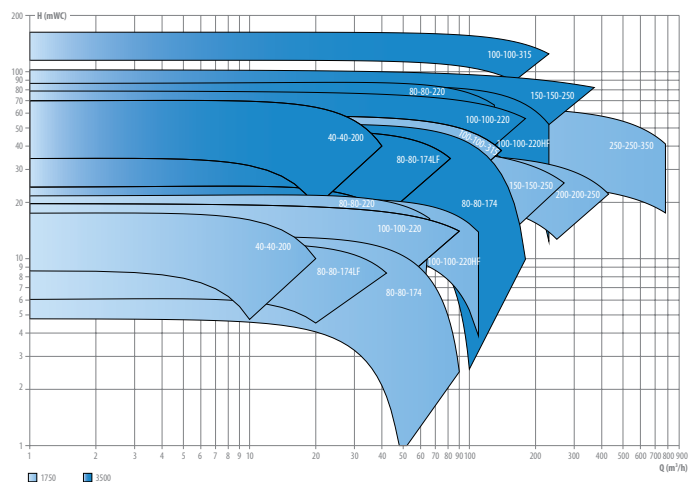
Model	F	Max. H	Max. W	Total L	N (EN1092-1)
S-MP/S-IP 100-100-315-2L	157	1390	630	630	DN100, PN10
S-MP/S-IP 150-150-250-2L	236	1794	547	710	DN150, PN10
S-MP/S-IP 200-200-250-2L	281	1624	600	900	DN200, PN10
S-MP/S-IP 250-250-350-2L	336	2043	705	1000	DN250, PN10

All dimensions are in mm.

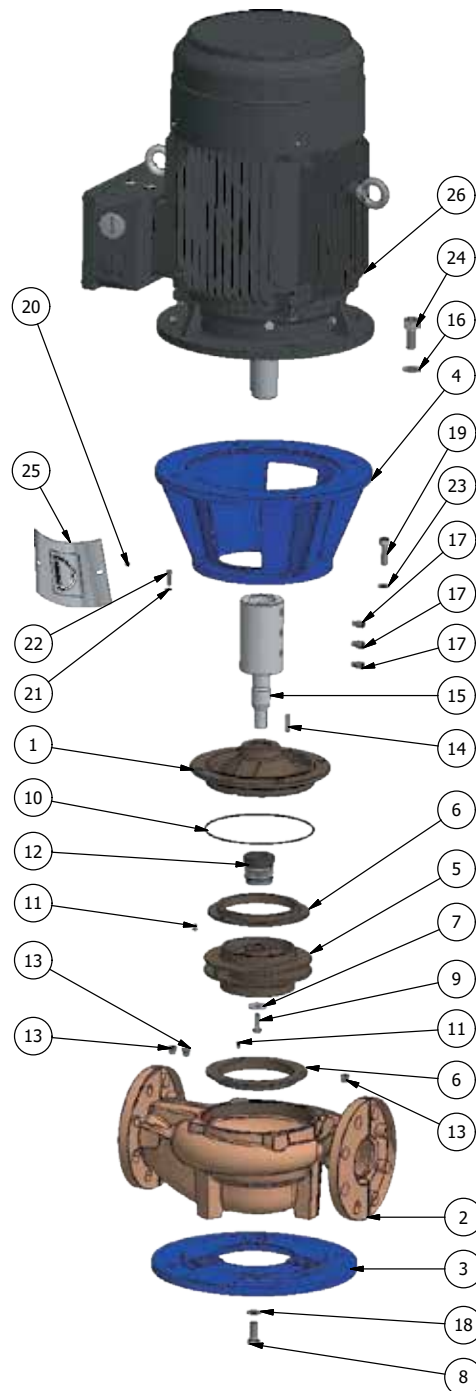
### Performance Curves - Complete S-MP/S-IP Range - 50 Hz



### Performance Curves - Complete S-MP/S-IP Range - 60 Hz



# Example: 80-80-174 Pump



# Example: 250-250-350 Pump

